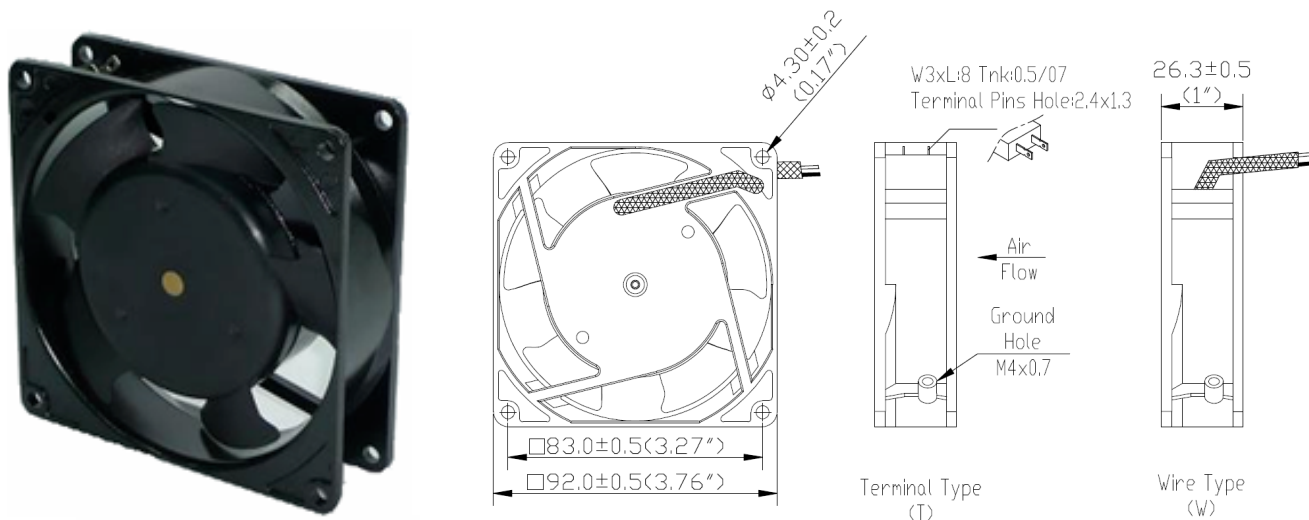
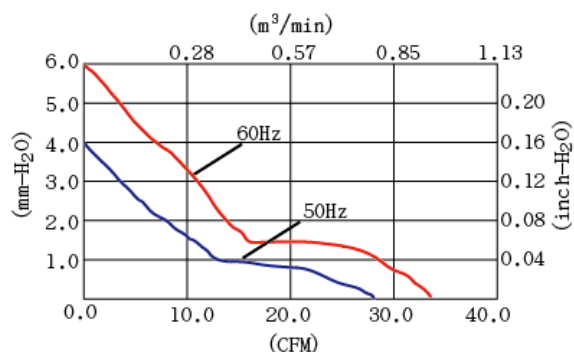


AC FAN SK92AP 92 X 92 X 25mm(3.5") 34~18 CFM



- 馬達 Motor: Shaded pole, impedance protected
- 外殼 Housing / Frame: Die-cast aluminum, Painted black (AP)
- 風葉 Impeller: Glass reinforced thermoplastic, UL 94V-0
- 軸承 Bearing Type: Two-ball or sleeve available
- 接電方式 Connecting: T-Terminal push-on type or W-Lead wire type
- 耐壓 Dielectric Strength: 1 min. at 1,500VAC, 50/60Hz
- 溫度範圍 Operating Temp: Ball bearing -20°C~+70°C
Sleeve bearing -10°C~+55°C
- 壽命 Life Expectancy: Ball bearing 60,000 hours at 60°C
Sleeve bearing 20,000 hours at 45°C
- 淨重 Net Weight: 290gm(0.64 pound)
- 檢定 Safety Approvals: UL, CUL, TUV, CE, RoHS

SK92 P-Q Curves



| 型號 Model No. | 電壓 Rated VAC | 頻率 Freq. Hz | 電流 Rated Input Amp | 功率 Rated Input Watt | 轉速 Rated Speed RPM | 最大風量 Max. Air Flow | | 最大風壓 Max. Static Pressure | | 噪音 Noise Level (dB) |
|-----------------|--------------------|-------------------|-----------------------------|------------------------------|-----------------------------|-----------------------|-------|------------------------------|-----------------------|------------------------------|
| | | | | | | m³/min | CFM | mm-H ₂ O | inch-H ₂ O | |
| SK92AP-11-1 | 110 (100V~120V) | 50/60 | 0.18/0.16 | 15/13 | 2400/3000 | 0.79/0.96 | 28/34 | 4.0/6.0 | 0.16/0.24 | 31/39 |
| SK92AP-11-2 | 110 (100V~120V) | 50/60 | 0.09/0.08 | 10/9 | 2100/2300 | 0.65/0.76 | 23/27 | 2.7/3.1 | 0.11/0.12 | 28/31 |
| SK92AP-11-3 | 110 (100V~120V) | 50/60 | 0.07/0.06 | 7/6 | 1700/1750 | 0.51/0.54 | 18/19 | 1.4/1.5 | 0.05/0.06 | 26/27 |
| SK92AP-22-1 | 220 (200V~240V) | 50/60 | 0.08/0.07 | 15/13 | 2400/2900 | 0.79/0.96 | 28/34 | 4.0/6.0 | 0.16/0.24 | 31/38 |
| SK92AP-22-2 | 220 (200V~240V) | 50/60 | 0.06/0.05 | 10/9 | 2100/2350 | 0.65/0.76 | 23/27 | 2.7/3.1 | 0.11/0.12 | 28/32 |
| SK92AP-22-3 | 220 (200V~240V) | 50/60 | 0.05/0.04 | 7/6 | 1650/1850 | 0.51/0.54 | 18/19 | 1.4/1.5 | 0.05/0.06 | 21/23 |