

AC FAN SK165AP

172X150X55mm(6.77"×5.91"×2.17") 160~172 CFM



馬達 Motor

外殼 Housing / Frame

風葉 Impeller

軸承 Bearing Type

接電方式 Connection

耐壓 Dielectric Strength

溫度範圍 Operating Temp

壽命 Life Expectancy

淨重 Net Weight

認證 Safety Approvals

Shaded pole, impedance protected or thermally protected

Die-cast aluminum, Painted black (AP) or Plated (AN)

PBT thermoplastic + glass fiber, UL 94V-0

Two-ball bearing

W-Lead wire type

1 min. at 1,500VAC, 50/60Hz

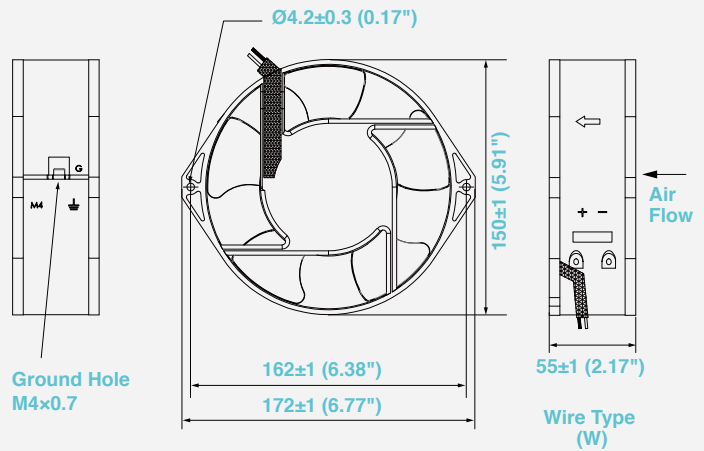
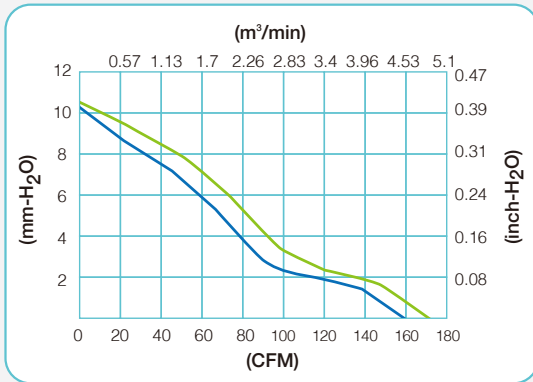
Ambient -20°C~+55°C

60,000 hours at 40°C

904 gm (1.99 pounds)

UL, CUL, TUV, CE, RoHS

SK165 P-Q Curves



Model No.	Rated VAC	Freq. Hz	Rated Input Amp	Rated Input Watt	Rated Speed RPM	Max. Air Flow m³/min CFM	Max. Static Pressure mm-H ₂ O inch-H ₂ O	Noise Level (dB)
型號	電壓	頻率	電流	功率	轉速	最大風量	最大風壓	噪音
SK165AP-11-1	110 (100V~120V)	50/60	0.55/0.47	48.3/39.0	2600/2850	4.5/4.7 160/172	10.3/10.5 0.41/0.41	50/55
SK165AP-22-1	220 (200V~230V)	50/60	0.28/0.23	50.2/40.8	2600/2850	4.5/4.7 160/172	10.3/10.5 0.41/0.41	50/55

Customised Item : Frameless, Double Voltage

