

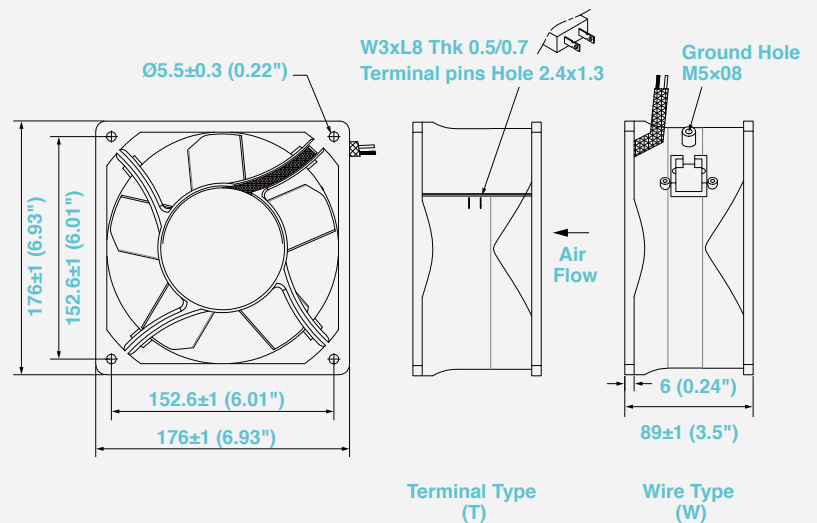
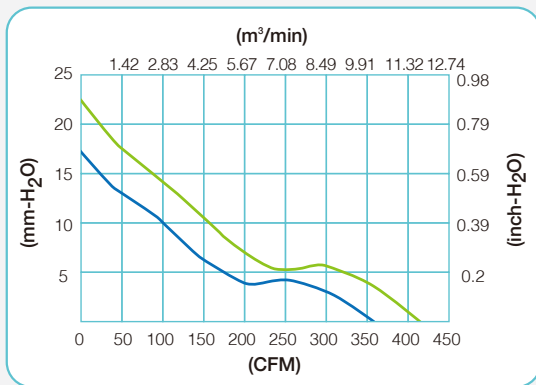
AC FAN SK176AP

176X176X89mm(6.93"×3.5") 358~415 CFM



馬達	Motor	Single phase induction capacitor motor, thermally protected
外殼	Housing / Frame	Die-cast aluminum, Painted black (AP) or Plated (AN)
風葉	Impeller	PC thermoplastic + glass fiber, UL 94V-0
軸承	Bearing Type	Two-ball bearing
接電方式	Connection	T-Terminal push-on type or W-Lead wire type
耐壓	Dielectric Strength	1 min. at 1,500VAC, 50/60Hz
溫度範圍	Operating Temp	Recommended ambient range -20°C~+70°C
壽命	Life Expectancy	60,000 hours at 40°C
淨重	Net Weight	2 kg (4.4 pounds)
認證	Safety Approvals	UL, CUL, TUV, CE, RoHS

SK176 P-Q Curves



Model No.	Rated VAC	Freq. Hz	Rated Input Amp	Rated Input Watt	Rated Speed RPM	Max. Air Flow m ³ /min CFM	Max. Static Pressure mm-H ₂ O inch-H ₂ O	Noise Level (dB)
型號	電壓	頻率	電流	功率	轉速	最大風量	最大風壓	噪音
SK176AP-11-1	110 (100V~120V)	50/60	0.57/0.48	50/52	2800/3250	10.2/11.7 358/415	17.3/22.4 0.68/0.88	61/64
SK176AP-22-1	220 (200V~240V)	50/60	0.21/0.23	43/52	2800/3250	10.2/11.7 358/415	17.3/22.4 0.68/0.88	61/64

Customised Item : Double Voltage, FG,RD

